



FLAVEL

At the heart of your home



MULTIFUEL STOVES 2012-2013



At the heart of your home

Welcome to Flavel



At Flavel we know how important it is to create a stylish and relaxing living environment. That's why we've developed this collection of affordable stoves to complement all tastes and lifestyles. I believe our success stems from a combination of innovative design, investment in technology and the highest quality manufacturing standards. As a result all Flavel stoves carry a 5 year guarantee to reflect my belief in their quality and durability.

This brochure has been designed to make the purchase of your new Flavel stove as simple as possible. I hope you will find it both informative and inspiring.

Intelligent design

Flavel stoves are amongst the cleanest, most efficient and most easily controllable stoves available today.

Our multifuel stoves have been specifically engineered to be simple in design, easy to use and still produce the lowest levels of carbon monoxide emissions, making them exceptionally clean burning.

Flavel stoves use a single pre-heated airwash system to keep the glass window clean. The design is so cleverly simple that there is no need for the second, and in some cases, third airwash system included by other stove manufacturers to provide a clean burning product.

Flavel solid fuel stoves have been approved using the most sophisticated research and test systems in the industry and our design success can be merited to 150 years of experience and a dedicated team of research engineers who are amongst the brightest in the industry.

BFM Europe
BRITISH FIRE MANUFACTURERS

Today BFM Europe is the fastest growing domestic fire and stove producer in the country with an unequalled reputation for quality and service. Every Flavel branded stove is developed and manufactured in Britain at our purpose built, state-of-the-art facility in Stoke-on-Trent.



Every Flavel stove carries the peace of mind of a 5 years guarantee against material and manufacturing defects on the steel stove body. All cast iron parts are guaranteed for 2 years and any consumable components or glass parts of the stove are guaranteed for a period of one year against material and manufacturing defects subject to the terms and conditions as specified in the guarantee document supplied with the product.



The Flavel No. 1 and No. 2 multifuel stoves carry independently tested CE Approval to standard BS EN 13240 are so efficient and clean burning they have received DEFRA's recommendation for exemption from the Clean Air Act 1993.

Flavel stoves which carry this symbol can be used in Smoke Control Areas when burning wood, as well as authorised smokeless fuels. They can also be used in smoke free zones in the Republic of Ireland when burning wood or peat briquettes.



Flavel No. 1 Multifuel Stove

The Flavel No. 1 is a compact, multifuel steel bodied stove, which has an ultra-slim body to allow it to be installed in a wide range of fireplaces. It features a choice of two cast iron door designs; the CV05 has a modern curved design and the SQ05 features clean straight lines. The Flavel No. 1 can achieve a heat output of up to 4.8kW and is suitable for use in Smoke Control Areas when burning wood, as well as authorised smokeless fuels.

Features

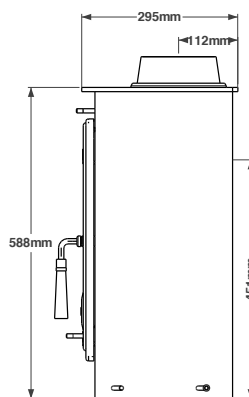
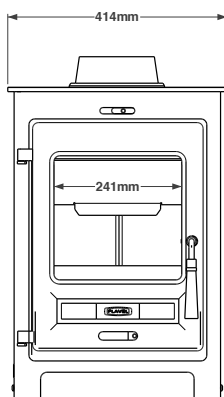
- 5mm thick steel bodies
- Cast iron doors and grates
- Large viewing window
- Simple operating controls
- Ultra-slim depth
- Clean glass Airwash system
- Large, easy-carry ashpan
- Up to 10 hours burn time
- Takes log lengths up to 300mm (12")
- 125mm (5") top or rear flue connection
- CE Approval to standard BS EN 13240
- Suitable for use in Smoke Control Areas

Specifications

Maximum Heat Output.....	4.8kW
Maximum Log Length.....	300mm (12")
Flue Outlet (Top or Rear).....	125mm (5")
Weight.....	56kg



Dimensions



Flavel No. 1 CV05 Stove



Flavel No. 2 Multifuel Stove

The Flavel No. 2 is a high quality steel bodied stove which features a large viewing window and is exceptionally easy to operate. This multifuel stove is capable of burning for up to 10 hours on a single filling and will provide a heat output of up to 7kW. The Flavel No. 2 is suitable for Smoke Control Areas and is available in a choice of two models; the SQ07 and the CV07.

Features

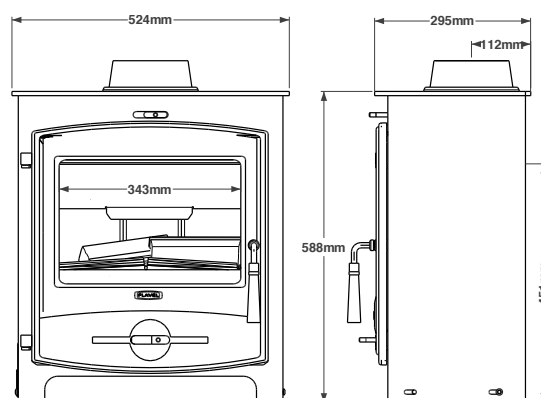
- 5mm thick steel bodies
- Cast iron doors and grates
- Large viewing window
- Simple operating controls
- Ultra-slim depth
- Clean glass Airwash system
- Large, easy-carry ashpan
- Up to 10 hours burn time
- Takes log lengths up to 410mm (16")
- 125mm (5") top or rear flue connection
- CE Approval to standard BS EN 13240
- Suitable for use in Smoke Control Areas

Specifications

Maximum Heat Output.....	7.0kW
Maximum Log Length.....	410mm (16")
Flue Outlet (Top or Rear).....	125mm (5")
Weight.....	68kg
Ventilation Required.....	1100mm ²



Dimensions



Flavel No. 2 SQ07 Stove



Flavel Central Heating Stove

The Flavel Central Heating Stove is one of the most efficient boiler stoves available today with a net efficiency of 80.4%. This stove can be easily installed with your existing central heating system and offers a heat output of up to 5.1kW to the room and up to 9.7kW to water. It will also work with time clocks and automatic room stats for full thermostatic control. This stove features a double-cased body which helps to keep the outer body of the stove cooler and stops the room from getting too hot when full central heating is in operation. The Flavel Central Heating stove is available in a choice of two stylish door designs and will look fabulous in any home from a cosy country cottage to a chic urban apartment.

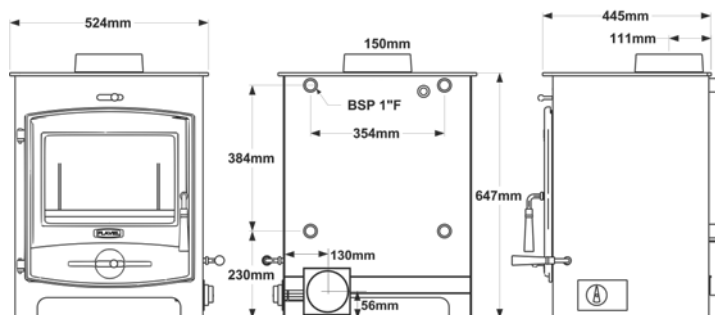
Features

- An Extra Content Buffer Tank to store heat until needed and ensure the system remains hot while refuelling
- An easy clean throat plate.
- Access to sweep the chimney from inside the stove.
- A fully double-cased body to keep the outer body of the stove cool and to stop the room from over-heating when full central heating is required.
- Burns for up to 12 hours.
- Burns a complete range of fuels, including wood, peat, anthracite and coke with no need to change the grate.
- Large viewing window.
- Large easy-carry ashpan.
- High chromium stainless steel grate and fittings for long life and smooth operation.
- An optional Flavel Safe Air Supply which supplies air to the stove directly from outside to provide perfect combustion and no cold draughts is available. No extra room ventilation is required.
- Works with time clocks and automatic room stats for full thermostatic control.

Specifications

Maximum Heat Output to Room Burning anthracite5.1kW (17,400 Btu's)
 Maximum Heat Output to Water Burning anthracite9.7kW (33,000 Btu's)
 Total Maximum Heat Output14.8kW (50,500 Btu's)
 Maximum Log Length ..330mm (13")
 Flue Outlet (Top only)150mm (6")

Dimensions



Flavel Central Heating Stove SQ15



At the heart of your home

BFM Europe Limited, Trentham Lakes, Stoke-on-Trent, Staffordshire ST4 4TJ.
Tel: 01782 339000. Fax: 01782 339009. www.bfm-europe.com e-mail: info@bfm-europe.com



www.bfm-europe.com

Go direct to the Flavel website on your smart phone or tablet device, just scan in this QR code.

DISCLAIMER Our policy is one of constant development and improvement. We therefore reserve the right to revise designs and specifications of our products without formal notice, patents pending. We always recommend our products be viewed in an approved showroom before purchase.

Whilst we have taken every care in the preparation of this brochure it is not intended to replace the installation manual which provides more detailed information.

Photography is for illustration purposes only and although every effort has been made to ensure accurate reproduction of typical installations and flame pictures they may vary according to fuel type and installation.

We accept no liability for any loss or damage arising directly or indirectly from the use of this brochure.

We recommend that all our fires are used in conjunction with central heating and not as a primary source of heat. In the interests of personal safety a suitable fireguard is recommended when children, the elderly and the infirm are present.

We would like to thank OER Fireplaces (01782 319350) for supplying the fire surround and beams used in this brochure.

